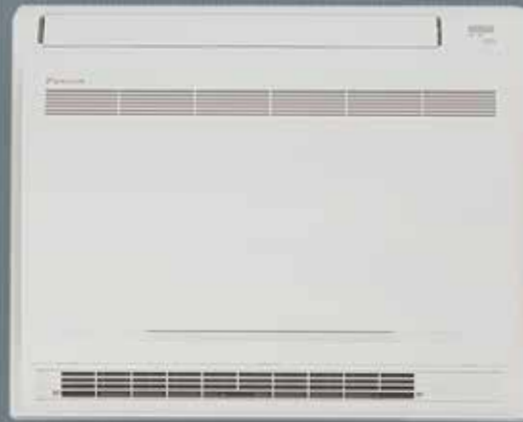


# FLOOR STANDING



The World Leading Heat Pump Company



HEATING AND COOLING SOLUTIONS

## FLOOR STANDING

REVERSE  
CYCLE

**2.9kW**  
-TO-  
**7.65kW** **6**  
RATED HEATING CAPACITIES MODELS



### COMPACT & CONVENIENT

Compact floor standing unit with a wide selection of capacities, ideal for placement under a window sill or semi-recessed into a wall or an unused fireplace.



#### DUAL DISCHARGE VENTS

You can select to use either top, or top and bottom discharge vents to distribute air evenly through the room for better heating comfort.



#### ECONO MODE

This mode limits the maximum power consumed by the system preventing the tripping of your circuit breaker should you have other household appliances operating simultaneously with your heat pump.



#### WIDE OPERATING RANGE

Daikin's floor standing units are robust in design and feature an intelligent defrost system. So even when the mercury drops as low as  $-10^{\circ}\text{C}$ , your home still stays comfortable in winter.



#### STANDBY POWER FUNCTION

When the system is not in use, power supply to the outdoor unit is turned off and the indoor unit switches to standby mode.



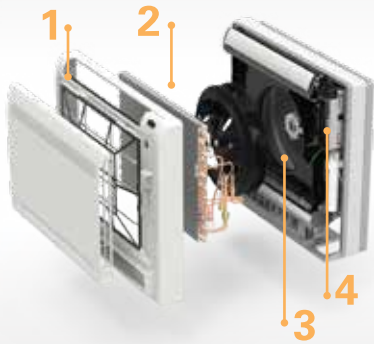
#### HOT START

Prior to heating, the indoor unit warms to a pre-set temperature before the fan switches on, ensuring only warm air is discharged and eliminating cold draughts.



#### ADVANCED PURIFICATION

Each model is fitted with a titanium apatite deodorising air purification filter that traps microscopic particles, decomposes odours and even deactivates bacteria.



## TECHNOLOGY

### 1. ADVANCED FILTRATION

Features the combination of a particulate prefilter for collecting dust particles and a titanium apatite deodorising air purification filter.

### 2. TURBO FAN

The large swept blades enable air to be discharged quietly and efficiently via both the top and bottom discharge vents for even airflow into the room.

### 3. DC FAN MOTOR

Daikin's DC Fan motor is efficient and compact, featuring five step fan speeds including quiet and auto mode.

### 4. PROGRAM DRY FUNCTION

When operating in this mode, the microprocessor intelligently adjusts temperature and airflow rate to reduce humidity with minimal compromise to comfort.

## SPECIFICATIONS

INDOOR UNIT		FVXS25RV1A	FVXS35RV1A	FVXS45RV1A	FVXS50RV1A	FVXS60LVMA	FVXS71LVMA	
OUTDOOR UNIT		RXS25RV1A	RXS35RV1A	RXS45RV1A	RXS50RV1A	RXS60LAVMA	RXS71LAVMA	
Rated Capacity	Cool (kW)	2.46	3.5	4.5	5.0	6.0	7.1	
	Heat (kW)	2.9	4.52	5.56	5.8	7.0	7.65	
Capacity Range	Cool (kW)	1.3-3.0	1.7-3.8	1.7-5.0	1.7-5.6	2.3-6.7	3.0-8.5	
	Heat (kW)	1.3-4.5	1.7-5.0	1.7-8.1	1.7-8.1	2.3-9.0	3.0-10.0	
Indoor Airflow Rate (H)	Cool (l/s)	137	147	178	260	292	273	
	Heat (l/s)	170	170	218	327	285	317	
Indoor Fan Speeds		5 steps, quiet and automatic						
Energy Ratings	Cool	3.5	3	2	3	2.5	2	
	Heat	4.5	3	3	3.5	2	2	
Front Panel Colour		White						
Power Supply		1 phase, 220-240V, 50Hz						
Power Input (Rated)	Cool (kW)	0.59	0.91	1.35	1.29	1.7	2.13	
	Heat (kW)	0.63	1.16	1.45	1.44	2.03	2.21	
E.E.R/C.O.P	Cool/Heat	4.17/4.60	3.85/3.90	3.33/3.83	3.88/4.03	3.53/3.45	3.33/3.46	
A.E.E.R/A.C.O.P	Cool/Heat	4.12/4.55	3.82/3.87	3.32/3.82	3.86/4.01	3.51/3.44	3.32/3.45	
Dimensions (HxWxD)	Indoor (mm)	600x700x210				770x850x290		
	Outdoor (mm)	550x765x285	735x825x300			770x900x320	990 x 940 x 320	
Weight	Indoor (kg)	14	14	14	25	25	25	
	Outdoor (kg)	34	46	46	46	71	80	
Compressor Type		Hermetically sealed swing type						
Refrigerant Type		R410A						
Max Pipe Length	(m)	20	30	30	30	30	30	
Max Level Difference	(m)	15	20	20	20	20	20	
Pipe Sizes	Liquid (mm)	6.4	6.4	6.4	6.4	6.4	9.5	
	Gas (mm)	9.5	12.7	12.7	12.7	12.7	15.9	
Outdoor Operating Range	Cool (°CDB)	10 to 46						
	Heat (°CWB)	-15 to 18						
Indoor Sound Level (H/SL)	Cool (dBA)	38/23	39/24	44/32	45/32	47/33	46/33	
	Heat (dBA)	41/23	41/24	48/32	49/32	45/33	47/34	
Outdoor Sound Level (H)	Cool (dBA)	46/43	47/44	47/44	47/44	49/46	52/49	
	Heat (dBA)	50/44	50/45	51/45	51/45	49/46	54/50	
Outdoor EPA Sound Power Level (H)	Cool (dBA)	58	59	59	59	63	66	
	Heat (dBA)	62	62	63	63	63	66	

- Notes: 1. The rated capacity is measured in accordance with AS/NZS 3823.1.1  
 2. The cooling (or heating) output capacity will be reduced below the rated value as the outdoor temperature approaches the maximum (or minimum) outdoor temperature operating range limit.

3. The specifications, designs & information in this flyer are subject to change without notice. Unit colours shown are as close as possible to actual unit colours. Colours depicted in this flyer may vary slightly.

Your Local Daikin Specialist Dealer:



daikin.co.nz